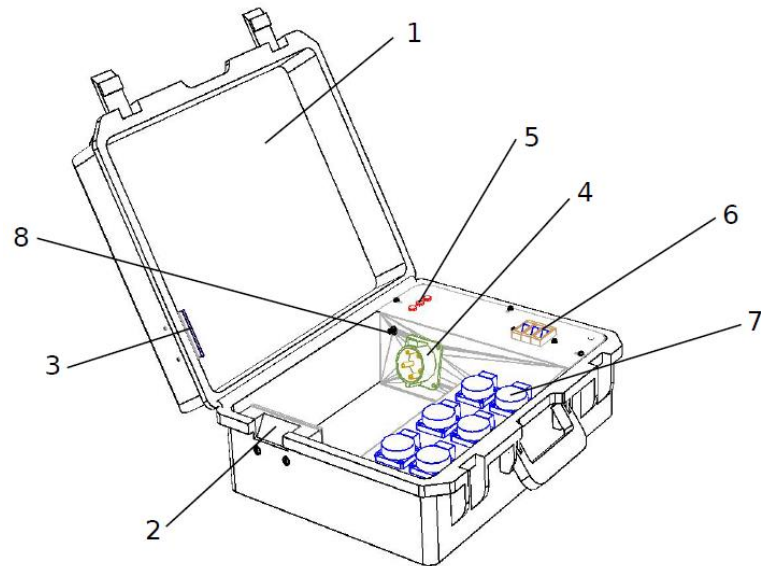


1 General Information / Product Overview



1. Case IP 44
2. Cable entry
3. Cover cable entry
4. Input: CEE Plug MENNEKES®, 400 V/16 A, 5 Pin
5. Phase indicator lights
6. 3x RCBO C16A (Residual Circuit Breaker with Overcurrent Protection)
7. Sockets: 6 x SCHUKO® MENNEKES®, 230 V/16 A
8. Ground

2 Technical Data

Power Supply	380-400 V AC, 50 Hz
Protection Rating	IP 44
Dimensions /LxWxH/	510x410x200 mm
Weight	7 kg

3 Application Notes

	Storage during operation					

4 Safety Information

	<p>Required Installation skills Installation only by persons with relevant electrotechnical knowledge and experience! Contact your professional electrical contractor!</p>
--	--



SENCI
Nijverheidsweg 20
7671 DA Vriezenveen
Nedetherlands
Tel: +31 (0)85 303 65 97
Mail: info@senci.nl
Website: www.senci.nl

GLP German Light Products GmbH
Industriestr. 2, 76307 Karlsbad, Germany
Tel: +49 (0)72 48 / 927 19 - 0, Fax: -30,
E-Mail: info@glp.de, Internet: www.glp.de

Product Description

PDS-16/s
Power Distribution Case RCBO



Version 1.1

